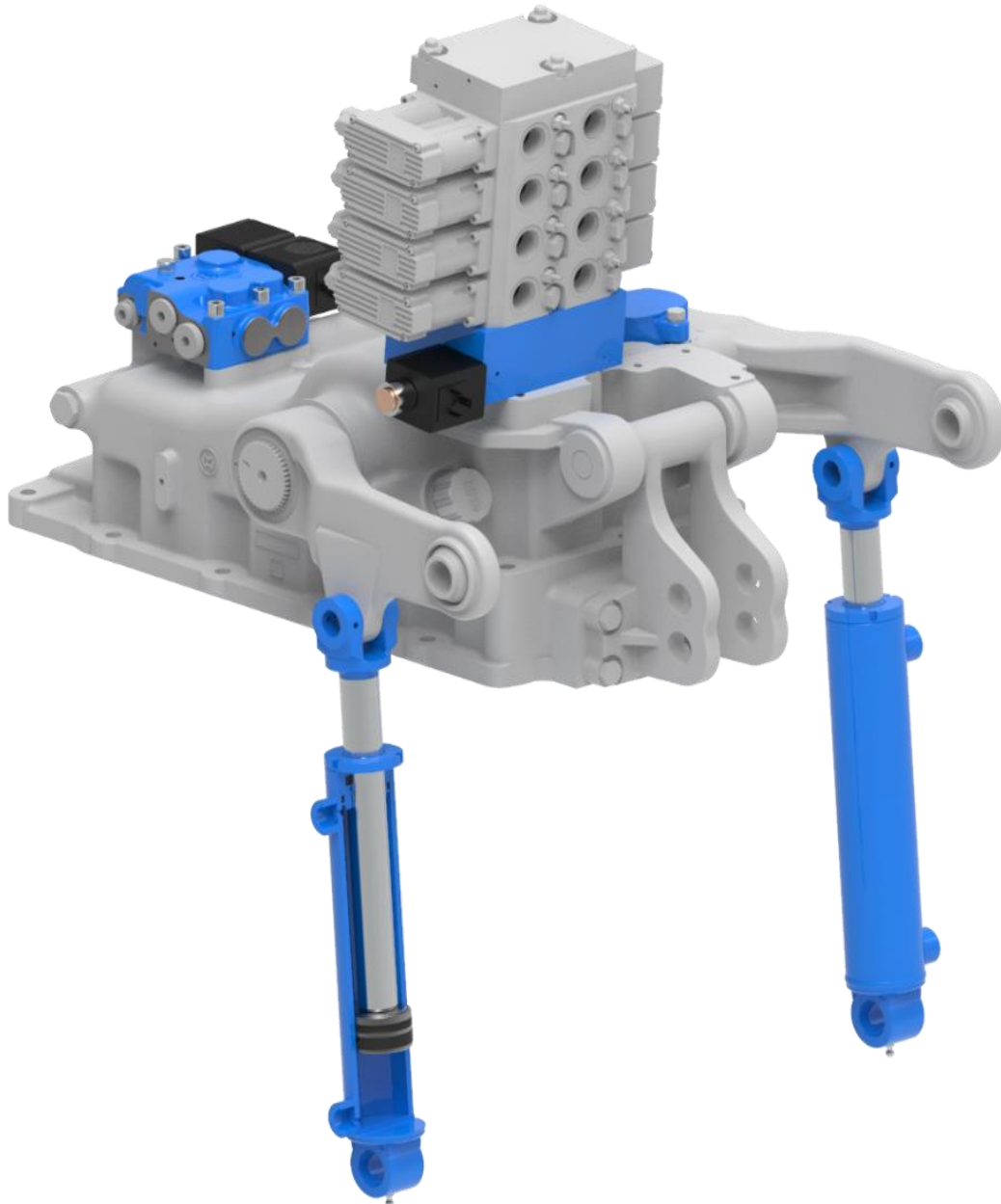




# MITA

OLEODINAMICA S.p.A.

Hydraulic Company of 



## DOWNFORCE SYSTEM

Technical catalogue

# DOWNFORCE SYSTEM

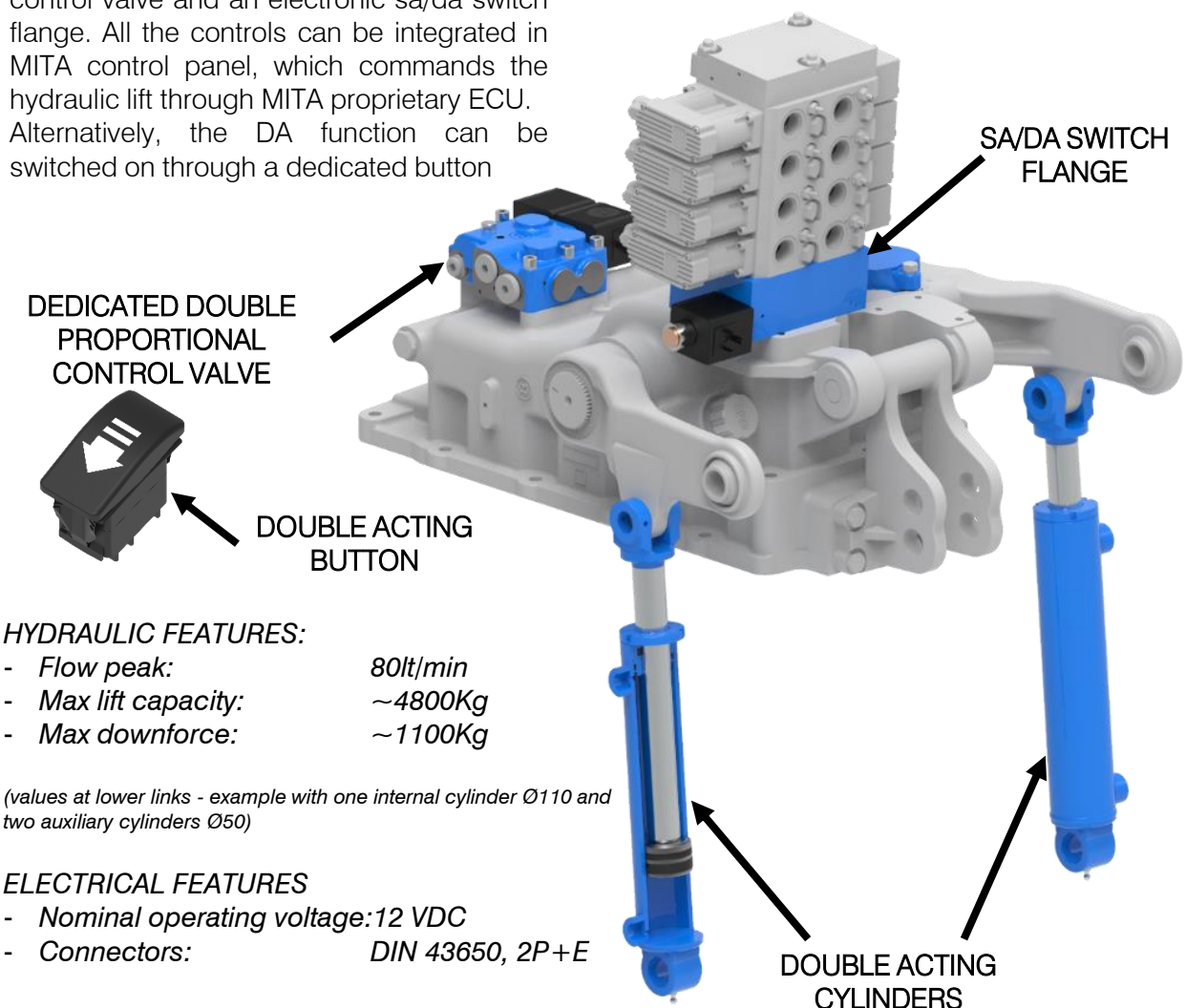
## FEATURES

MITA introduces a new double-acting system for its line of hydraulic power lifts. The system provides, through dedicated double acting external cylinders, a downforce during the lowering movement of the arms, while maintaining the full lift capacity of the single acting version. This feature guarantees the full penetration of the implement, even on extremely hard soil and with lighter implements. It also allows the controlled downward movement of the unloaded power lift, facilitating the attachment of the implement.

The system is available in three base configurations, depending on the target application: full electronic version, electro-mechanic version and full mechanic version. Each of the three base configurations is fine-tuneable according to the specific application

### FULL ELECTRONIC VERSION

This version comprises two double-acting external cylinders, a dedicated electronic control valve and an electronic sa/da switch flange. All the controls can be integrated in MITA control panel, which commands the hydraulic lift through MITA proprietary ECU. Alternatively, the DA function can be switched on through a dedicated button



*The data in this catalogue refers to the standard product.*

*The policy of MITA S.p.A consists of a continuous improvement of its products and a customization based on the actual needs of the client. Therefore, MITA reserves the right to change the specifications of the different products whenever necessary.*

*If any doubts, please get in touch with our Sales Department.*

# DOWNFORCE SYSTEM

## FEATURES

### ELECTRO-MECHANICAL VERSION

This version comprises two double-acting external cylinders, a dedicated control valve and an electronic sa/da switch flange. The double-acting function is activable through a button placed in the cabin. All the lifting controls are operated through manual levers, same as in MITA standard single-acting power lifts

#### HYDRAULIC FEATURES:

- Flow peak: 70lt/min
- Max lift capacity: ~4800Kg
- Max downforce: ~1100Kg

*(values at lower links - example with one internal cylinder Ø110 and two auxiliary cylinders Ø50)*

#### ELECTRICAL FEATURES

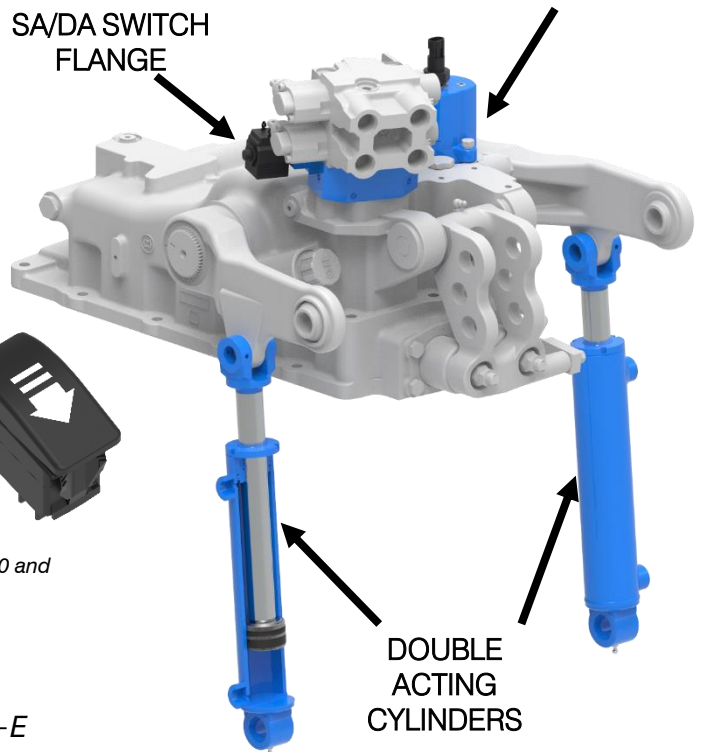
- Nominal operating voltage: 12 VDC
- Connectors: DIN 43650, 2P+E

#### DOUBLE ACTING BUTTON



#### SA/DA SWITCH FLANGE

#### DEDICATED FLOW CONTROL VALVE



#### DOUBLE ACTING CYLINDERS

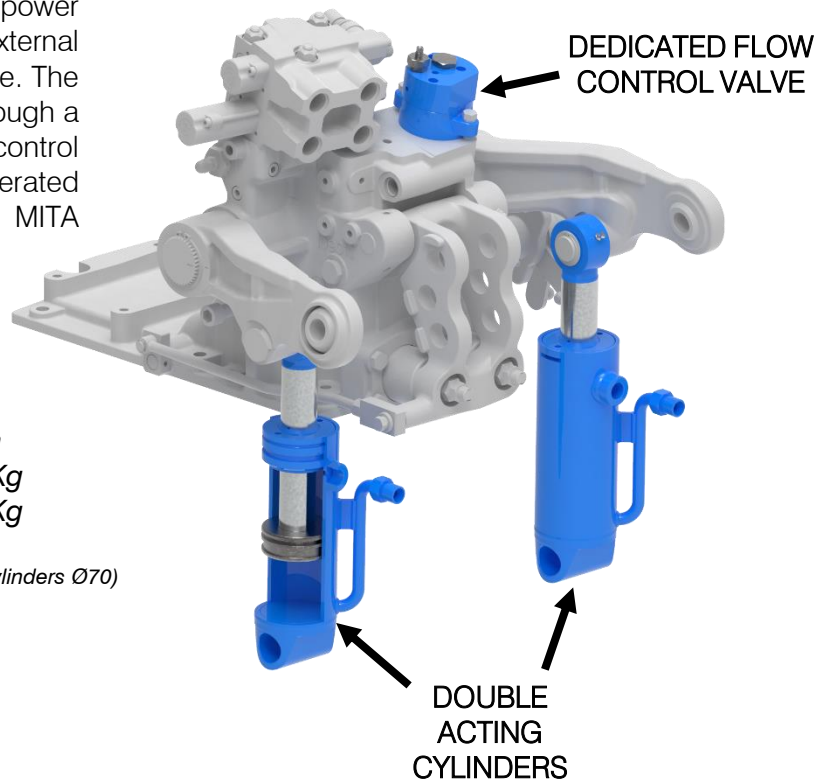
### FULL MECHANICAL VERSION

This version, suitable for specialised power lifts, comprises two double-acting external cylinders and a dedicated control valve. The double-acting function is activable through a switch or knob on the dedicated control valve. All the lifting controls are operated through manual levers, same as in MITA standard single-acting power lifts

#### HYDRAULIC FEATURES:

- Flow peak: 60lt/min
- Max lift capacity: ~3300Kg
- Max downforce: ~2400Kg

*(values at lower links - example with two external cylinders Ø70)*



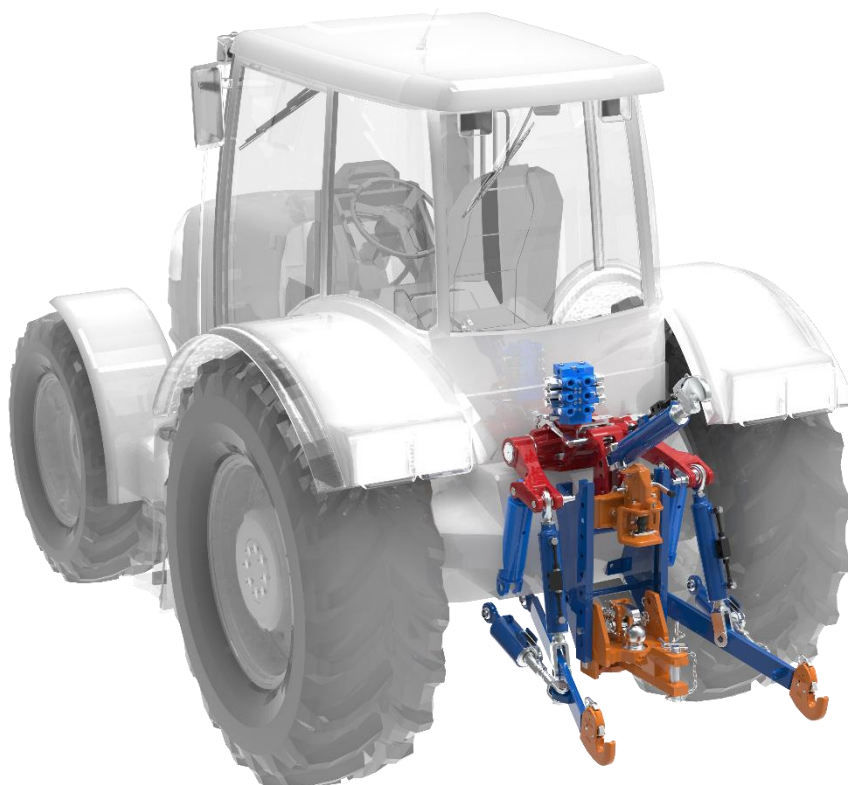
#### DEDICATED FLOW CONTROL VALVE

#### DOUBLE ACTING CYLINDERS

*The data in this catalogue refers to the standard product.*

*The policy of MITA S.p.A consists of a continuous improvement of its products and a customization based on the actual needs of the client. Therefore, MITA reserves the right to change the specifications of the different products whenever necessary.*

*If any doubts, please get in touch with our Sales Department.*



SPECIALISTS IN SYSTEMS  
FOR COUPLING, TOWING AND LIFTING IMPLEMENTS  
FOR AGRICULTURAL TRACTORS

**CBM**



Group

SPECIALISTI IN SISTEMI DI  
AGGANCIAMENTO, TRAINO E SOLLEVAMENTO ATTREZZI PER  
TRATTORI AGRICOLI



**MITA**  
OLEODINAMICA S.p.A.